

PNEUMATIC TIRE FORKLIFT

22,000-36,000 LB CAPACITY LP DIESEL PNEUMATIC TIRE MODELS
POWER AND PERFORMANCE FOR THE LONG HAUL.



EXPECT PERFORMANCE.

A POWERFUL LOW-EMISSIONS ENGINE FOR MAXIMUM PRODUCTIVITY



- Outstanding durability and performance
- Fuel-efficient engine
- Lower maintenance for increased uptime

The FD100N2-FD160AN2 series delivers the power and performance that tough applications demand.

Enhanced Performance — For More Value:

Mitsubishi Forklift Trucks developed this forklift series to deliver everything you need to tackle tough jobs every day – and at an exceptional value. From a durable design to a fuel-efficient and high-performance engine, these forklifts are ready to work when you are.

Engine Protection: Controlled by the Engine Control Module, the Engine Protection System keeps the truck running at desirable levels while helping to reduce the risk of damage to the forklift, saving you money. If vital fluids become critically low, or fluid temperatures are too high, RPM levels are automatically lowered and the operator is notified by a light on the dash display.

Maintenance Made Simple:

Simplified maintenance means less downtime and more time on the job. Whether it's scheduled maintenance or a daily inspection, this forklift series makes it easier to get back to work.

- Easy-to-remove floor panel and steel side covers; no tools required
- Greater uptime and lower planned maintenance costs
- Easy access to all major components
- Less time consuming daily inspections
- Extended 500-hour service intervals



Excellent Fuel Efficiency:

The high-performance Perkins™ twin turbo 1204F 4.4L, in-line, four-cylinder engine was engineered for low fuel consumption. This engine is able to provide the productivity you'd expect using a fraction of the fuel, and ultimately, a fraction of the operating cost.

High Performance:

When you need power, you need it now. This truck's engine features powerfully synchronized dual turbochargers that provide low-speed torque – allowing for controlled, powerful acceleration for maximum productivity.

Durable Frame:

Tough applications require durable equipment. These forklifts consist of steel frames for added strength and durability:

- More steel in the frame for added resilience
- Rugged design helps minimize stress points in the frame
- Excellent ground clearance



Key applications:

- Lumber
- Concrete and stone
- Fabricated metals
- Industrial machinery
- Building materials
- Steel and pipe

COMFORT FEATURES FOR YOUR OPERATORS.

COMBINED WITH THE POWER YOUR BUSINESS DEMANDS

Invaluable standard features:

- Full-suspension vinyl seat for a comfortable ride
- Premium LED / LCD display for operator awareness
- Integrated Presence System (IPS) for added security
- Hydrostatic steering for optimal forklift control
- Fingertip armrest control option for precise load control

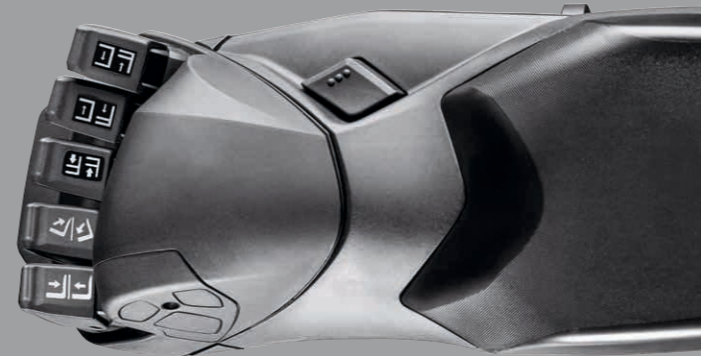
MORE CONTROL

Designed with operator comfort in mind, the optional armrest fingertip control's ergonomic design enables precise load control with easy movement and excellent hand positioning.

Flexible Cab Options To Meet Your Needs:

For maximum operator comfort and protection from the elements, this lift truck can be equipped with two different cabin options. The fully enclosed panel cabin option can be installed at the factory or on site and comes standard with a heater and optional A/C package. The new wide cabin option is a factory install welded frame offering several upgrades including:

- Spacious operator compartment with a redesigned engine cover.
- Deluxe air suspension vinyl GRAMMER™ adjustable air ride seat with swivel.
- New floor plates design with easy access for service.



Integrated Presence System (IPS):

This system activates whenever the operator does not fasten the seat belt during operation or leaves the normal operating position without activating the parking brake. This integral computer-based feedback system uses both audible and visual indicators to alert the operator to potentially hazardous situations, increasing operator awareness.

More Comfort For More Efficiency:

Standard design features such as rubber-mounted major components, a fully-insulated steel engine hood, helical transmission gears and fully-enclosed wheel wells all work together to create a smooth driving experience.

Comfortable Ride:

The standard vinyl multifunction full-suspension GRAMMER™ seat provides day-long comfort to operators of various heights.

- Forward and backward adjustment up to 8.25 inches
- Suspension adjustment offers seat support for the operator
- Lower back lumbar adjustment

Premium Display Panel:

The LED and LCD display panel provides important indicator lights and information to the operator. These indicators help keep the operator informed about the current status of the forklift, whether it's as simple as the amount of fuel in the truck or something more complex such as an issue with oil pressure or fluid temperatures.



Front-End Attachments:

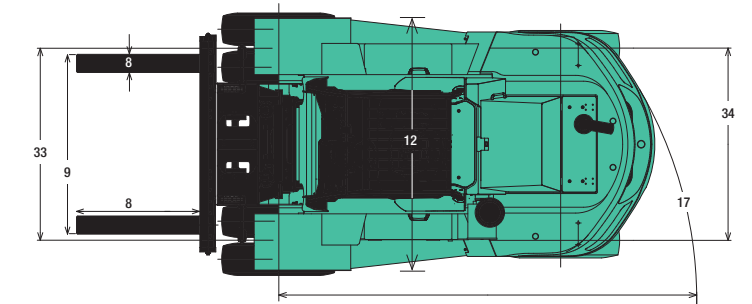
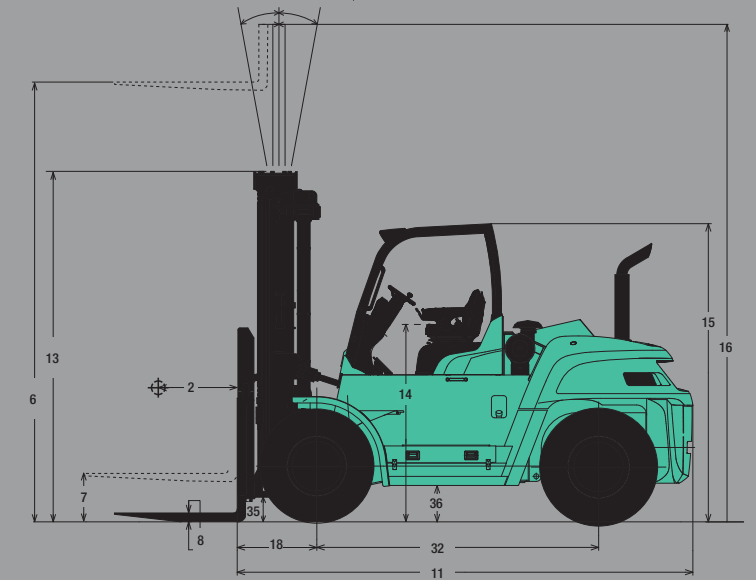
Customize your forklift to meet your business demands with optional front-end attachments, such as sidershifters or fork positioners. Ask your local Mitsubishi forklift truck dealer for more information.



| CHARACTERISTICS | | FD100N2 | | FD120N2 | | FD135N2 | | FD150AN2 | | FD160AN2 | | | |
|-----------------|---|-----------|------|---------------------------------|------------------|---------------------------------|------------------|---------------------------------|------------------|---------------------------------|------------------|------------------|------------------|
| 1 | Capacity at rated load center | lb | kg | 22,000 | 10,000 | 26,500 | 12,000 | 30,000 | 13,500 | 33,000 | 15,000 | 36,000 | 16,000 |
| 2 | Capacity at load center – distance | in | mm | 24 | 600 | 24 | 600 | 24 | 600 | 24 | 600 | 24 | 600 |
| 3 | Power – electric, diesel, gasoline, LP gas | | | diesel | | diesel | | diesel | | diesel | | diesel | |
| 4 | Tire type – cushion or pneumatic | | | pneumatic | | pneumatic | | pneumatic | | pneumatic | | pneumatic | |
| 5 | Wheels (x=driven) number front / rear | | | 4x / 2 | | 4x / 2 | | 4x / 2 | | 4x / 2 | | 4x / 2 | |
| DIMENSIONS | | | | | | | | | | | | | |
| 6 | Maximum fork height (top of fork) ^[1] | in | mm | 121 | 3,072 | 121 | 3,079 | 121.5 | 3,088 | 121.5 | 3,088 | 121.5 | 3,092 |
| 7 | Free fork height ^[1] | in | mm | 2.8 | 72 | 3.1 | 79 | 3.5 | 88 | 3.5 | 88 | 3.6 | 92 |
| 8 | Forks – thickness x length x width ^[1] | in | mm | 2.8 x 48.0 x 7.1 | 72 x 1,220 x 180 | 3.1 x 48.0 x 7.1 | 79 x 1,220 x 180 | 3.5 x 48.0 x 7.1 | 88 x 1,220 x 180 | 3.5 x 48.0 x 7.1 | 88 x 1,220 x 180 | 3.6 x 48.0 x 7.1 | 92 x 1,220 x 180 |
| 9 | Fork spacing – out-to-out minimum / maximum | in | mm | 18.7 / 79.1 | 475 / 2,010 | 18.7 / 79.1 | 475 / 2,010 | 18.7 / 79.1 | 475 / 2,010 | 18.7 / 89.0 | 475 / 2,260 | 18.7 / 89.0 | 475 / 2,260 |
| 10 | Tilt – forward / backward | deg | | 15° / 12° | | 15° / 12° | | 15° / 12° | | 15° / 12° | | 15° / 12° | |
| 11 | Length to fork face | in | mm | 177 | 4,505 | 178 | 4,515 | 179 | 4,535 | 191 | 4,840 | 199 | 5,050 |
| 12 | Width with dual drive tires | in | mm | 99 | 2,515 | 99 | 2,515 | 103 | 2,605 | 103 | 2,605 | 104 | 2,635 |
| 13 | Height with lowered mast ^[1] | in | mm | 121.5 | 3,087 | 121.5 | 3,087 | 131.5 | 3,332 | 131.5 | 3,330 | 139 | 3,530 |
| 14 | Seat height to SIP | in | mm | 75.4 | 1,915 | 75.4 | 1,915 | 77.2 | 1,960 | 77.2 | 1,960 | 77.2 | 1,960 |
| 15 | Height to top of overhead guard | in | mm | 119 | 3,015 | 119 | 3,020 | 121 | 3,060 | 121 | 3,060 | 121 | 3,060 |
| 16 | Height with extended mast ^[1] | in | mm | 177 | 4,486 | 177 | 4,486 | 194 | 4,927 | 194 | 4,927 | 194 | 4,927 |
| 17 | Minimum outside turning radius | in | mm | 164 | 4,160 | 164 | 4,160 | 164 | 4,160 | 179 | 4,550 | 190 | 4,820 |
| 18 | Load moment constant | in | mm | 30.3 | 770 | 30.7 | 780 | 31.5 | 800 | 31.7 | 805 | 32.1 | 815 |
| 19 | Minimum aisle – 90° stack – zero clearance without load | in | mm | 194 | 4,930 | 194 | 4,940 | 195 | 4,960 | 211 | 5,355 | 222 | 5,635 |
| PERFORMANCE | | | | | | | | | | | | | |
| 20 | Travel speed loaded / empty | mph | km/h | 17.7 / 20.2 | 28.5 / 32.5 | 16.8 / 19.9 | 27.0 / 32.0 | 16.8 / 20.5 | 27.0 / 33.0 | 16.5 / 20.2 | 26.5 / 32.5 | 16.2 / 20.2 | 26.0 / 32.5 |
| 21 | Lift speed loaded / empty | fpm | m/s | 80.7 / 86.6 | 0.41 / 0.44 | 80.7 / 86.6 | 0.41 / 0.44 | 66.9 / 72.8 | 0.34 / 0.37 | 66.9 / 72.8 | 0.34 / 0.37 | 63.0 / 67.0 | 0.32 / 0.34 |
| 22 | Lowering speed loaded / empty | fpm | m/s | 90.6 / 94.5 | 0.46 / 0.48 | 90.6 / 94.5 | 0.46 / 0.48 | 94.5 / 78.7 | 0.48 / 0.40 | 94.5 / 78.7 | 0.48 / 0.40 | 86.6 / 72.8 | 0.44 / 0.37 |
| 23 | Drawbar pull – loaded at 1 mph (1.6 km) | lb | N | 21,130 | 94,000 | 20,910 | 93,000 | 19,560 | 87,000 | 19,560 | 87,000 | 19,330 | 86,000 |
| 24 | Drawbar pull – loaded at maximum | lb | N | 23,830 | 106,000 | 25,400 | 113,000 | 23,380 | 104,000 | 23,380 | 104,000 | 23,160 | 103,000 |
| 25 | Gradeability – loaded at 1 mph (1.6 km) | % | | 41.5 | | 36.4 | | 29.7 | | 27.6 | | 25.7 | |
| 26 | Gradeability – loaded at maximum | % | | 41.5 | | 42.1 | | 36.3 | | 33.8 | | 31.3 | |
| WEIGHT | | | | | | | | | | | | | |
| 27 | Empty | lb | kg | 32,280 | 14,640 | 34,580 | 15,680 | 38,930 | 17,660 | 40,230 | 18,240 | 42,170 | 19,120 |
| 28 | Axle load – with rated load front / rear | lb | kg | 48,305 / 5,975 | 21,930 / 2,710 | 55,035 / 6,045 | 24,940 / 2,740 | 62,140 / 6,790 | 28,080 / 3,080 | 66,500 / 6,730 | 30,190 / 3,050 | 71,225 / 6,945 | 31,970 / 3,150 |
| 29 | Axle load – without load front / rear | lb | kg | 15,540 / 16,740 | 7,050 / 7,590 | 15,520 / 19,060 | 7,040 / 8,640 | 17,270 / 21,660 | 7,835 / 9,825 | 18,490 / 21,740 | 8,385 / 9,855 | 20,100 / 22,070 | 9,110 / 10,010 |
| CHASSIS | | | | | | | | | | | | | |
| 30 | Tire size – front, standard duals | in | | 10-20-14PR | | 10-20-16PR | | 12-20-18PR | | 12-20-18PR | | 12-20-20PR | |
| 31 | Tire size – rear tires | in | | 10-20-14PR | | 10-20-16PR | | 12-20-18PR | | 12-20-18PR | | 12-20-20PR | |
| 32 | Wheelbase | in | mm | 110 | 2,800 | 110 | 2,800 | 110 | 2,800 | 122 | 3,100 | 130 | 3,300 |
| 33 | Tread width – front, standard duals | in | mm | 74.8 | 1,900 | 74.8 | 1,900 | 75.0 | 1,905 | 75.0 | 1,905 | 75.0 | 1,905 |
| 34 | Tread width – rear tires | in | mm | 77.4 | 1,965 | 77.4 | 1,965 | 75.8 | 1,925 | 75.8 | 1,925 | 74.4 | 1,890 |
| 35 | Ground clearance – at lowest point at mast | in | mm | 10.2 | 260 | 10.2 | 260 | 12.0 | 305 | 11.8 | 300 | 11.8 | 300 |
| 36 | Ground clearance – at center of wheelbase | in | mm | 12.2 | 310 | 12.2 | 310 | 14.0 | 355 | 14.0 | 355 | 14.0 | 355 |
| 37 | Service brake | | | air over hydraulic power brakes | | air over hydraulic power brakes | | air over hydraulic power brakes | | air over hydraulic power brakes | | wet disc brakes | |
| 38 | Parking brake | | | hand, mechanical | | hand, mechanical | | hand, mechanical | | hand, mechanical | | hand, mechanical | |
| POWERTRAIN | | | | | | | | | | | | | |
| 39 | Engine model | | | Perkins 1204F | | Perkins 1204F | | Perkins 1204F | | Perkins 1204F | | Perkins 1204F | |
| 40 | Continuous output S.A.E. gross | HP | kW | 174 | 129 | 174 | 129 | 174 | 129 | 174 | 129 | 174 | 129 |
| 41 | | at r.p.m. | | 2,200 | | 2,200 | | 2,200 | | 2,200 | | 2,200 | |
| 42 | Maximum torque S.A.E. gross | lb-ft | N-m | 553 | 750 | 553 | 750 | 553 | 750 | 553 | 750 | 553 | 750 |
| 43 | | at r.p.m. | | 1,400 | | 1,400 | | 1,400 | | 1,400 | | 1,400 | |
| 44 | Cylinder / displacement | cu in | L | 4 / 268.5 | 4 / 4.4 | 4 / 268.5 | 4 / 4.4 | 4 / 268.5 | 4 / 4.4 | 4 / 268.5 | 4 / 4.4 | 4 / 268.5 | 4 / 4.4 |
| 45 | Transmission type | | | powershift | | powershift | | powershift | | powershift | | powershift | |
| 46 | Number of speeds forward / reverse | | | 3 / 3 | | 3 / 3 | | 3 / 3 | | 3 / 3 | | 3 / 3 | |
| 47 | Battery | volts | | 24 | | 24 | | 24 | | 24 | | 24 | |
| 48 | Relief pressure for attachments | psi | bar | 2,990 | 206 | 2,990 | 206 | 2,990 | 206 | 2,990 | 206 | 2,990 | 206 |
| 49 | Noise level – at operator's ear Leq | dB(A) | | 82.9 | | 82.9 | | 82.9 | | 82.9 | | 82.9 | |

Call-out numbers shown in the diagram below correspond to the first column of the specifications chart.

FD100N2- FD160AN2



1) Heights with listed forks on standard two-stage mast. Optional forks will change dimensions slightly.

SAFETY STANDARDS

These trucks meet American National Standards Institute/Industrial Truck Standards Development Foundation, ANSI/ITSDF B56.1. UL-Classified by Underwriters Laboratories, Inc., as to fire and electric shock hazard only; Type E, EE (optional), Industrial Trucks. Users should be aware of, and adhere to, applicable codes and regulations regarding operator training, use, operation and maintenance of powered industrial trucks, including:

- ANSI/ITSDF B56.1.
 - NFPA 505, fire safety standard for powered industrial trucks -type designations, areas of use, maintenance and operation.
 - Occupational Safety and Health Administration (OSHA) regulations that may apply.
- Specifications, equipment, technical data, photos and illustrations based on information at time of printing and subject to change without notice. Some products may be shown with optional equipment.

[1] Heights with shaft type forks on a standard two-stage mast. Optional hook type forks will change dimensions slightly.

FD100N2-FD160AN2

22,000-36,000 LB CAPACITY PNEUMATIC TIRE FORKLIFT

Delivering Exceptional Value

More Than 296,000 Parts To Keep You Running

Mitsubishi Forklift Trucks offers several parts programs, all designed to bring you top performance and convenience for your material handling needs.

Support To Fit Your Operation

Find out why more companies are relying on Mitsubishi forklift truck dealers to keep their fleet operating at top performance. Our efficiency provides customers with a better return on investment, and qualified service technicians, diverse parts inventory and unparalleled selection of service options can help reduce your total cost of ownership.

Extensive Dealer Network

The Mitsubishi forklift truck dealer network is dedicated to finding the right forklift solution for your business. With more than 300 dealer locations, you can rely on your local dealer to provide the service you need when you need it most.



Manufactured with superior quality and exceptional value, Mitsubishi forklift trucks are supported by an extensive dealer and field support network located throughout North and South America. Don't forget to ask your local Mitsubishi forklift truck dealer about details on factory retail programs, financing plans and additional options and dealer services like planned maintenance and operator training.