

FBC15N-FBC18N

1.5 - 1.8 TON ELECTRIC CUSHION TIRE FORKLIFT TRUCK

Flexible Operation

1. The One-Truck-Fits-All Solution

When equipped with optional quad masts, along with a variety of load handling options, this forklift can easily move loads directly between trailers and warehouse storage racks.

2. The Specific Solution

If you're working in an application that requires added protection in hazardous or combustible environments, this forklift can be configured with an optional UL type EE rating.

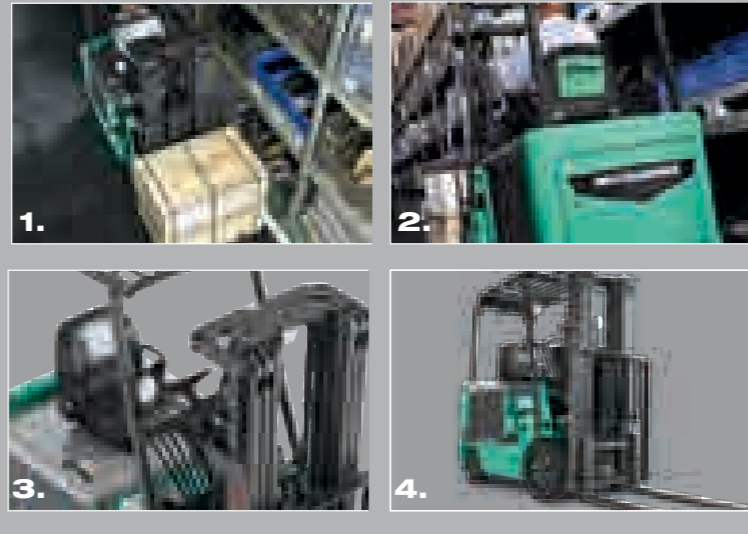
3. All-Day Comfort

Whether working on rough floors, long hours or under tough conditions, this forklift can be customized for day-long comfort. This series offers additional premium ergonomics with optional full-suspension seat and rubber floor mats.

4. Your Personal Solution

With a variety of mast, fork, hydraulic, overhead guard and axle/tire options available, this forklift can be tailored to the specific needs of your application.

Manufactured with superior quality and exceptional value, Mitsubishi forklift trucks are supported by an extensive dealer and field support network. Don't forget to ask your local Mitsubishi forklift truck dealer about details on factory retail programs, financing plans and additional options and dealer services like planned maintenance and operator training.



THE COMBINATION OF COMFORT AND STRENGTH.

FBC15N-FBC18N

1.5 - 1.8 TON ELECTRIC CUSHION TIRE FORKLIFT TRUCK



1. High Performance

Excellent Performance

The PM-1000 AC control system optimizes power and energy efficiency, while also reducing maintenance costs and wear on critical components.

Five Pre-Programmed Performance Modes

From the warehouse to the loading dock, performance can be matched to the application, allowing operators to stay focused on the task at hand.

2. Smart

Added Protection

The Integrated Presence System (IPS) helps manage risk by disengaging the drive and hydraulic functions when the operator leaves the normal operating position.

Increased Productivity

The pressure-sensing hydraulic control valve helps to reduce heat and stress on the hydraulic components, resulting in greater uptime and increased productivity in your application.

3. Comfortable

Enhanced Ergonomics

From the contoured vinyl seat to its full tilt steering column, this forklift was designed for optimal comfort during long shifts – ensuring maximum productivity all day long.

Easy Entry And Exit

Three-point access into the truck with the low open step, grab bar and wrapped steel hip restraints offers convenient entry and exit into the operator's compartment.

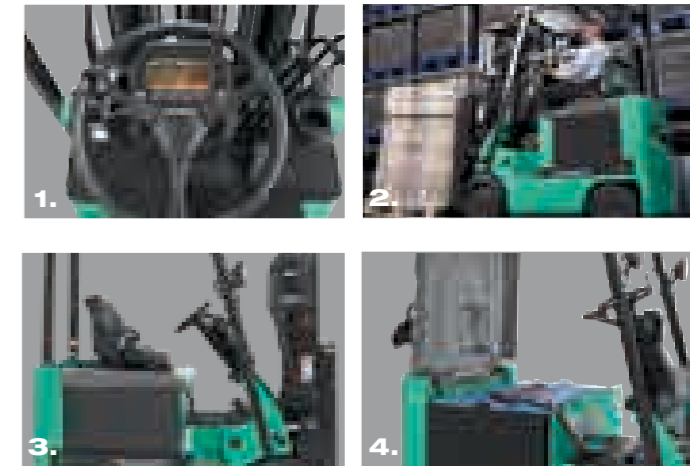
4. Flexible

Versatile Power

This forklift can be configured to operate with either a 36 or 48 volt battery. A "fast charge" option is also available, allowing customers to convert from conventional charging methods to fast charge for greater productivity.

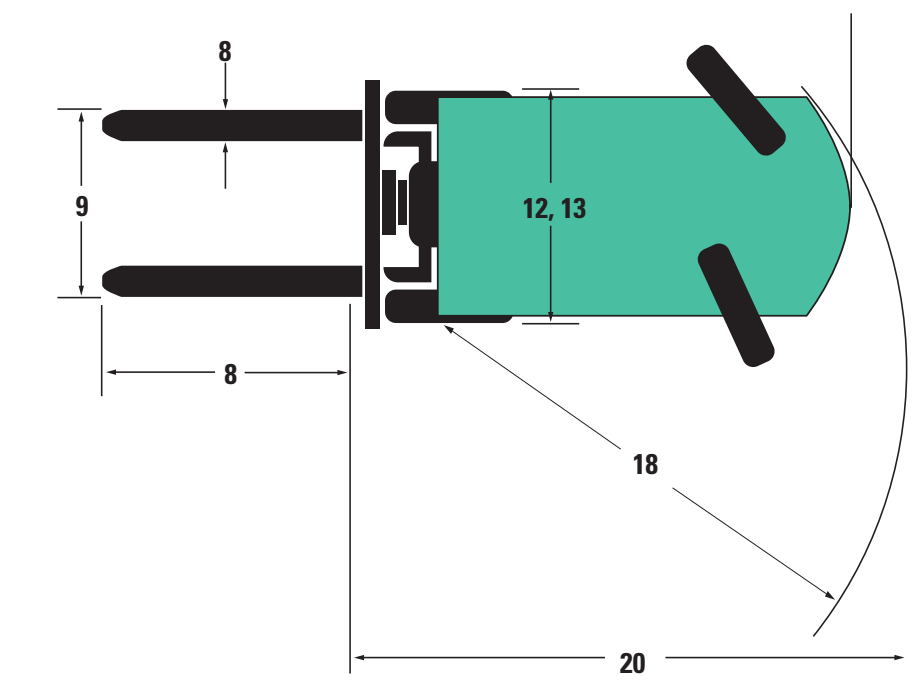
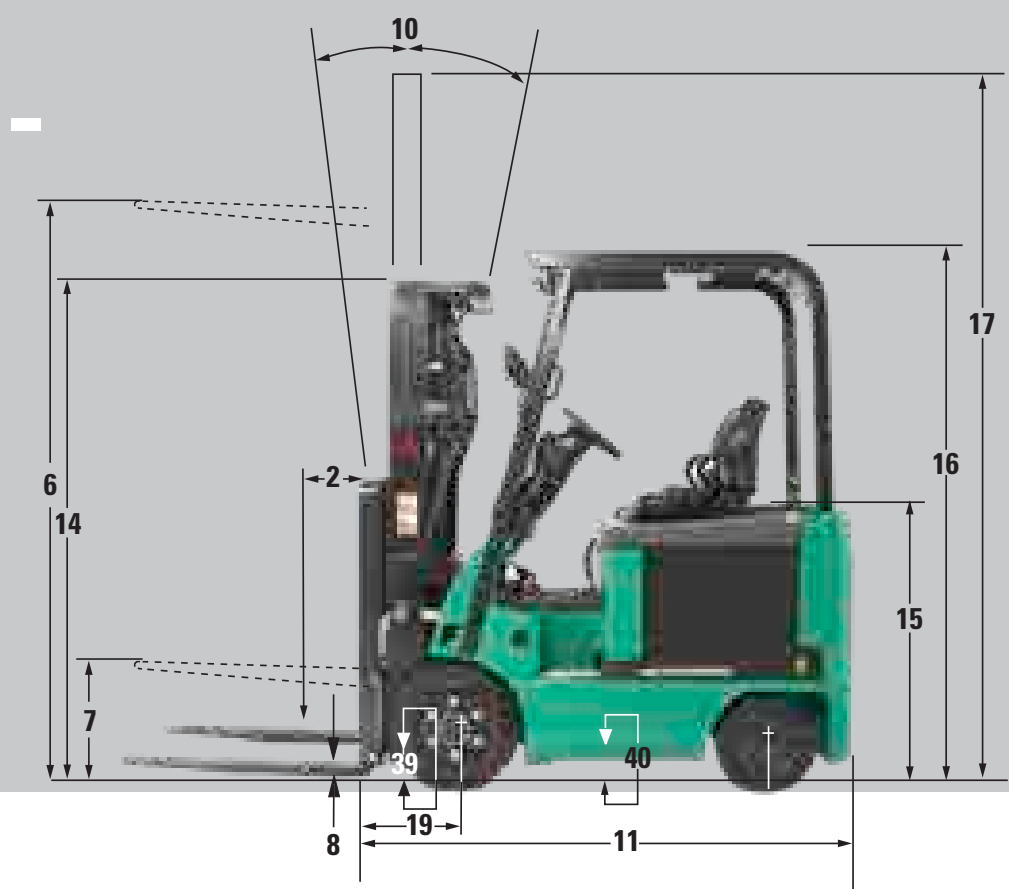
Adjustable Design

Optional overhead guard heights and widths are available to meet a variety of application requirements, such as low door heights and drive-in rack applications.



CHARACTERISTICS			FBC15N		FBC18N	
1	Capacity at rated load center	lb kg	3,000 1,500		3,500 1,800	
2	Load center - distance from fork face	in mm	24 500		24 500	
3	Power		electric		electric	
4	Tire type		cushion		cushion	
5	Wheels (x=driven)		2x / 2		2x / 2	
DIMENSIONS						
6	Maximum fork height with standard two-stage mast	in mm	130 3,320		130 3,320	
7	Free fork height with standard two-stage mast	in mm	4.5 115		4.5 115	
8	Forks - length x width x thickness	in mm	42.0 x 3.9 x 1.4 1,070 x 100 x 35		4.2 x 3.9 x 1.4 1,070 x 100 x 35	
9	Fork spacing - out-to-out minimum / maximum	in mm	9.4 / 32.0 240 / 818		9.4 / 32.0 240 / 818	
10	Tilt angle, forward / backward	deg	5° / 6°		5° / 6°	
11	Length to fork face	in mm	78.0 1,980		78.0 1,980	
12	Overall width, standard	in mm	37.0 945		37.0 945	
13	Overall width, wide stance drive tires	in mm	39.0 996		39.0 996	
14	Overall lowered height (mast)	in mm	83.0 2,105		83.0 2,105	
15	Seat height	in mm	48.0 1,220		48.0 1,220	
16	Overall lowered height to top of overhead guard	in mm	86.0 2,180		86.0 2,180	
17	Overall height with extended mast	in mm	180 4,570		180 4,570	
18	Minimum outside turning radius	in mm	70.5 1,790		70.5 1,790	
19	Load moment constant	in mm	14.8 376		14.8 376	
20	Minimum aisle - 90° stack - zero clearance without load	in mm	85.0 2,165		85.0 2,165	
PERFORMANCE						
21	Travel speed - 36 V	mph kph	10.2 / 11.2 16.4 / 18.0		9.3 / 10.8 14.9 / 17.3	
22	loaded / empty 48 V	mph kph	11.3 / 11.3 18.2 / 18.2		11.3 / 11.3 18.2 / 18.2	
23	Lift speed - 36 V	fpm m/s	75.0 / 106 0.38 / 0.54		71.0 / 106 0.36 / 0.54	
24	loaded / empty 48 V	fpm m/s	104 / 140 0.53 / 0.71		96.0 / 140 0.49 / 0.71	
25	Lower speed - 36 V	fpm m/s	98.0 / 81.0 0.50 / 0.41		98.0 / 81.0 0.50 / 0.41	
26	loaded / empty 48 V	fpm m/s	98.0 / 81.0 0.50 / 0.41		98.0 / 81.0 0.50 / 0.41	
27	Gradeability - 36 V	%	24.0		21.0	
28	loaded at 1mph (1.6 kph) 48 V	%	25.0		22.0	
29	Gradeability - 36 V	%	23.0		19.0	
30	empty (maximum) 48 V	%	23.0		19.0	
WEIGHT						
31	Truck weight - empty with minimum weight battery	lb kg	6,200 2,825		6,800 3,075	
32	Axle load with rated load - front / rear	lb kg	8,000 / 1,200 3,750 / 570		8,800 / 1,480 4,200 / 660	
33	Axle load without load - front / rear	lb kg	2,500 / 3,725 1,130 / 1,690		2,320 / 4,425 1,050 / 2,010	
CHASSIS						
34	Tire size, front (standard)	in mm	18.0 x 6.0 x 12.2 457 x 152 x 308		18.0 x 6.0 x 12.2 457 x 152 x 308	
35	Tire size, rear	in mm	14.0 x 4.5 x 8.0 356 x 114 x 203		14.0 x 4.5 x 8.0 356 x 114 x 203	
36	Wheelbase	in mm	46.0 1,170		46.0 1,170	
37	Tread width, front (standard)	in mm	31.0 793		31.0 793	
38	Tread width, rear	in mm	32.5 826		32.5 826	
39	Ground clearance at lowest point of mast	in mm	3.0 75.0		3.0 75.0	
40	Ground clearance at center of wheelbase	in mm	4.6 118		4.6 118	
41	Service brake		foot-operated, hydraulic		foot-operated, hydraulic	
42	Parking brake		hand-operated, mechanical		hand-operated, mechanical	
POWERTRAIN						
43	Battery type		lead-acid		lead-acid	
44	Battery, maximum capacity at 6 hour discharge rate - 36 V	Ah kWh	880 31.7		880 31.7	
45	Battery, maximum capacity at 6 hour discharge rate - 48 V	Ah kWh	770 37.0		770 37.0	
46	Battery, minimum weight	lb kg	1,650 750		1,650 750	
47	Traction output (60 minute rating) - 36 V / 48 V	HP kW	8.3 / 9.2 6.2 / 6.8		8.3 / 9.2 6.2 / 6.8	
48	Lift output (20% rating) - 36 V / 48 V	HP kW	9.9 / 15.7 7.4 / 11.7		9.9 / 15.7 7.4 / 11.7	
49	Drive controls		AC transistor		AC transistor	
50	Hydraulic controls		AC transistor		AC transistor	
51	Relief pressure for attachments at auxiliary	psi bar	2,250 155		2,250 155	

FBC15N- FBC18N



SAFETY STANDARDS

These trucks meet American National Standards Institute/Industrial Truck Standards Development Foundation, ANSI/ITSDF B56.1. UL-Classified by Underwriters Laboratories, Inc., as to fire and electric shock hazard only; Type E, EE (optional), Industrial Trucks. Users should be aware of, and adhere to, applicable codes and regulations regarding operator training, use, operation and maintenance of powered industrial trucks, including:

- ANSI/ITSDF B56.1.
- NFPA 505, fire safety standard for powered industrial trucks -type designations, areas of use, maintenance and operation.
- Occupational Safety and Health Administration (OSHA) regulations that may apply.

Specifications, equipment, technical data, photos and illustrations based on information at time of printing and subject to change without notice. Some products may be shown with optional equipment.